



Air filters



Liquid filters



Engineering

Losma / Air filters
Galileo Plus

Mist Collector

ENG



HIGH EFFICIENCY MOTORS

Galileo Plus

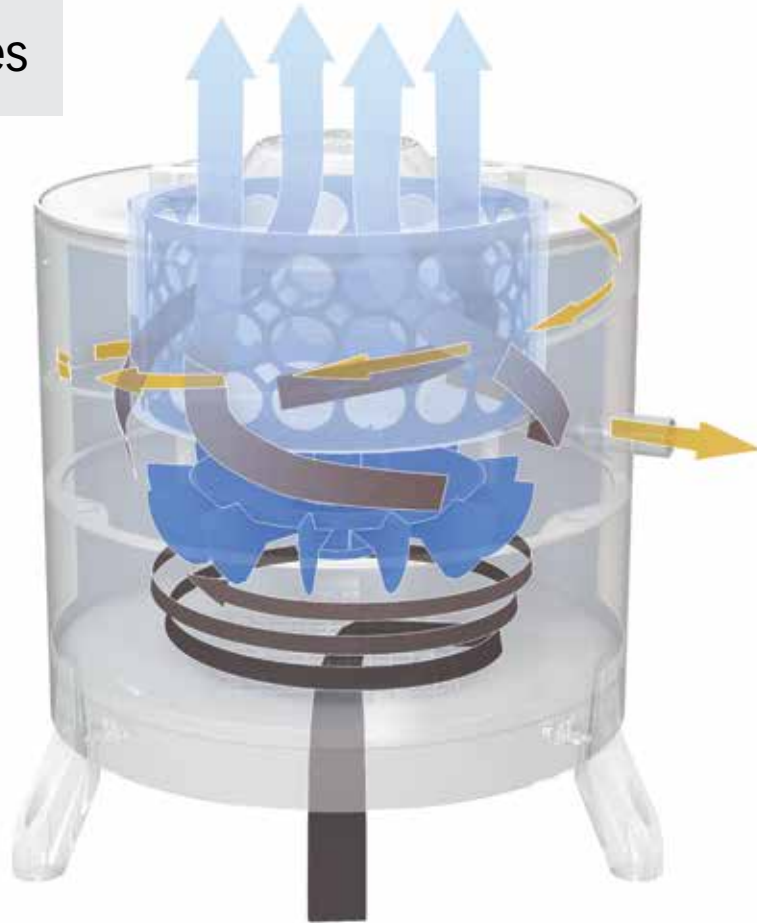


Losma grants that every single system is tested through strict control procedures. Every unit is provided with a Quality and Functional Test Certificate.

GALILEO PLUS is a patented centrifugal filter for mist generated from neat oil and emulsions used in machine tools, also suitable in the presence of particulate. Galileo Plus is available in 5 models with throughputs from 390 to 3.400 m³/h.



Working Principles



Polluted air is drawn from machine tool into the lower pre- chamber of Galileo PLUS. The acceleration effect, due to the centrifugal force generated by a rotating turbine, makes the oil particles bind together and return to liquid state, using the coalescence principle. Thanks to a special drainage tube the liquid oil is sent back to the machine tool, to be re-used in working process.

A special Multilayer filter having high filtration efficiency, stops and catches even the tiniest pollutant particles, avoiding their dispersion in environment.

Filter series



Plus



High filtration level and Long lasting filters:

The combination of the turbine centrifugal action and a high efficiency multilayer filter set guarantees a high filtration level. Filters are positioned after the centrifugal action of the turbine, thus they are exposed to a limited amount of polluting agents, having a small size. This location grants Galileo PLUS's filters a longer life than the ones of the most common centrifugal or static filters in the market.

HIGH EFFICIENCY MOTORS



Reduced electrical consumption:

Inspired to Blue Philosophy, Galileo PLUS uses energy saving motors with high efficiency and very low power (kW) (see table at next page).



Tested material from LOSMA's laboratories:

GALILEO PLUS internal materials have to pass compatibility stress tests, carried on with different types of neat oils and emulsions in the market.



Special turbine:

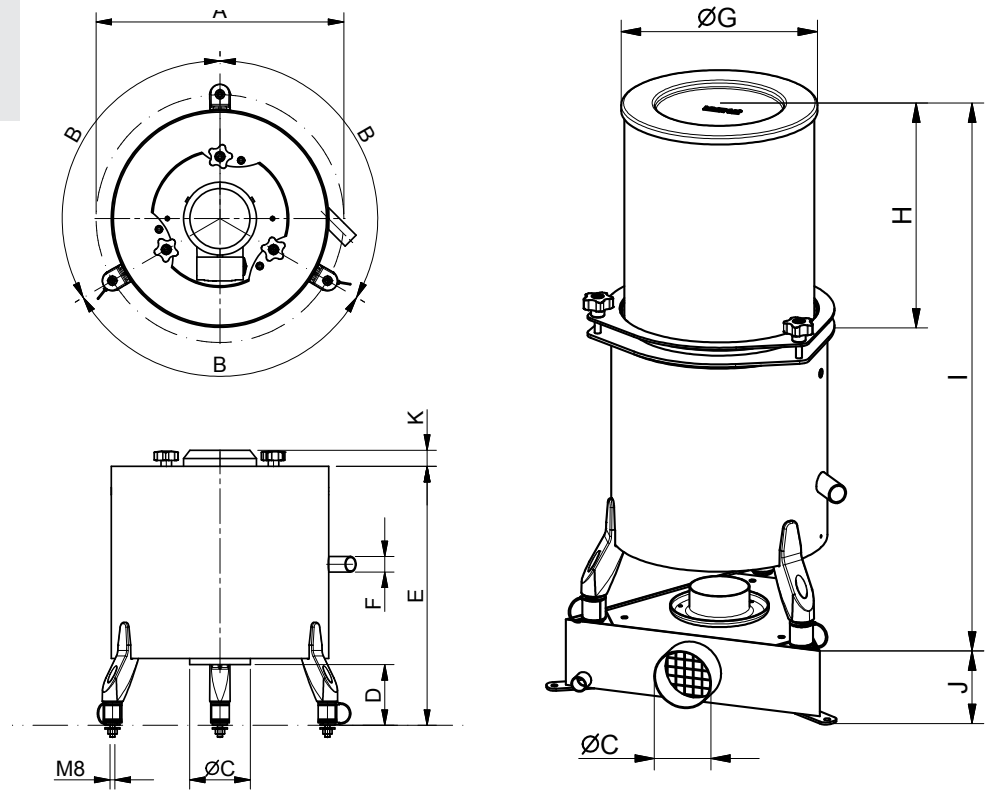
Designed for avoiding dust settlement on its surface, secures no vibrations also in case of big quantities of particulate.



Quick and easy maintenance:

Internal filters can be cleaned or changed by simple opening of a cover.

Technical Data



2 knobs on GP250, 4 knobs on GP3000

Galileo Plus		Dimensions [mm]					
Models	Dimensions [mm]						
	ø A	<) B	ø C	D	E	ø F	
GP 250	330	120	78	98	388	25	
GP 500	400	120	98	98	418	25	
GP 1000	490	120	148	88	508	25	
GP 2000	530	120	148	88	558	25	
GP 3000	560	90	198	88	658	25	

Dimensions [mm]					
ø C	ø G	H	I	J	K
78	254	314	698	93	22
98	315	314	731,5	113	26
148	380	435	940	163	75
148	380	435	990	163	33
198	460	365	1029	218	23

Galileo Plus		Flow Rate*		Noise level [dBa]		ø Inlet [mm]	Power		Net Weight [Kg]	Pression [Pa]	
Models	Flow Rate*		Noise level [dBa]		ø Inlet [mm]	Power		Net Weight [Kg]	Pression [Pa]		
	50 Hz	60 Hz	50 Hz	60 Hz	mm	50 Hz	60 Hz	kg	50 Hz	60 Hz	
GP 250	390	450	58	60	80	0,09	0,12	10	320	410	
GP 500	600	750	68	69	100	0,25	0,29	14	800	900	
GP 1000	1670	1800	70	71	150	0,55	0,63	29	1000	1210	
GP 2000	2000	2350	72	73	150	1,1	1,3	34	1100	1310	
GP 3000	3000	3400	73	75	200	2,2	2,55	50	1300	1600	

* free inlet

Galileo Plus family



GP 250

GP 500

GP 1000

GP 2000

GP 3000

Optional

G-CLIPPER PLUS

Post-filter cartridge for micro-mist, smoke and vapor. It allows to reach a high filtration level up to 99.97%.



G-GUARD

Pre-filtration module useful to optimize air filtration efficiency, in case of high production of oil mist containing dust or swarf chips, also with high pressure. The G-Guard is washable.



G-GUARD WITH DOOR OPTION



G.GUARD + G-CLIPPER PLUS

Installations



Innovative design: Galileo PLUS combines Italian design and modern technology for a pleasant workplace.





Health



Savings



Efficiency



Environment



Safety



WORKING CLEAN, BREATHING HEALTHY

Losma group was founded in 1974 to offer to all manufacturing industries the opportunity of "working clean and breathing healthy". For over 40 years, Losma S.p.A. has developed a wide range of products with high qualitative standards, always keeping an eye to the technological evolution and the specific needs of its customers.

Losma S.p.A.
Via E. Fermi 16 24035 Curno (BG)
CAP. SOC. I.V. € 500.000,00
Reg. Imp. e P.I e C.F. 012345901962
R.E.A. 185685

ISO 9001
TÜV SÜD
Certified Company

ISO 14001
TÜV SÜD
Certified Company

