

Losma / Liquid filters  
**Skim**

## Eliminator of superficial oils

ENG

SKIM is an eliminator of superficial oil, suitable to be used on every kind of basin or tank thanks to its shape and building materials. Skim is available in two versions: disc (Skim D) or belt (Skim N) - this version is suitable, thanks to its installation dimensions, in situations of reduced space and when the tank is not at full capacity.

SKIM removes from the coolant surface the veil of light products, which do not mix with water and create a barrier and prevents air from entering into contact with the emulsion allowing the formation of anaerobic flora bacteria. Thus the use of Skim preserves the quality of coolants and eliminates unpleasant odours.

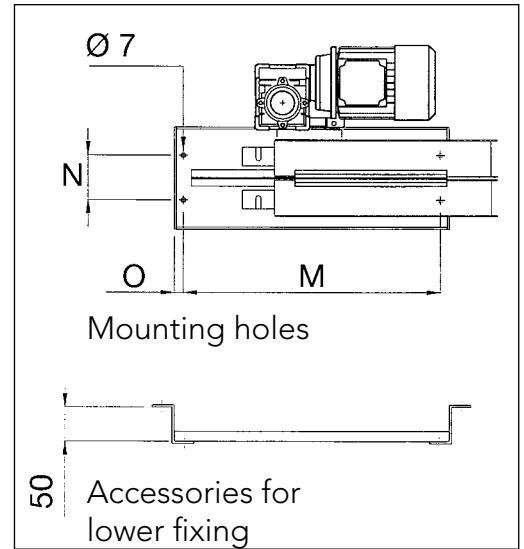
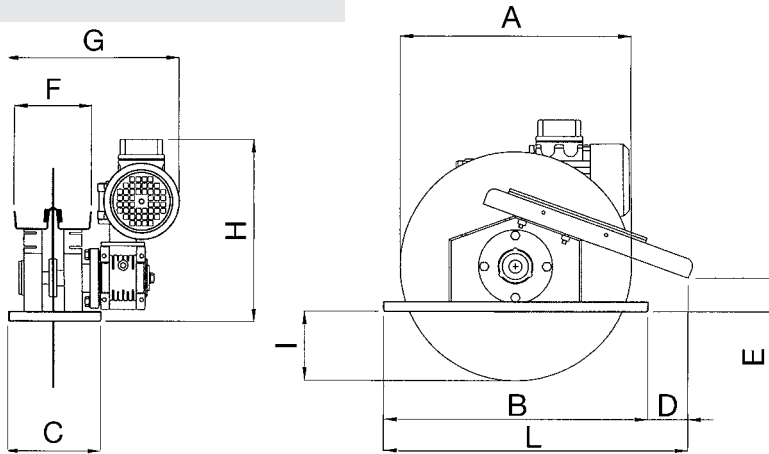


Skim D

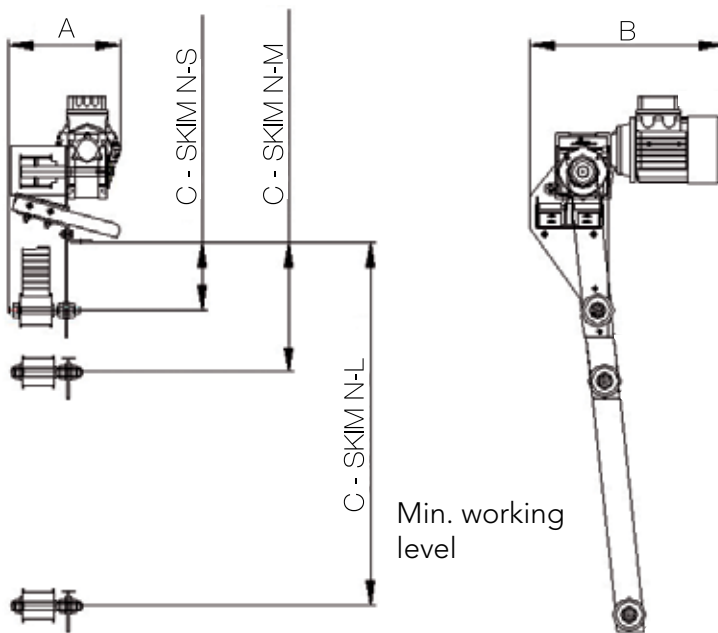


Skim N

# Technical Data



Skim D		Dimensions												
Models	A	B	C	D	E	F	G	H	I	L	M	N	O	
SK-1	350	400	150	60	50	120	280	300	80	462	374	66	13	
SK-2	500	550	150	52	28	120	280	300	180	612	524	66	13	
SK-3	600	650	150	78	0	120	280	300	230	740	624	66	13	



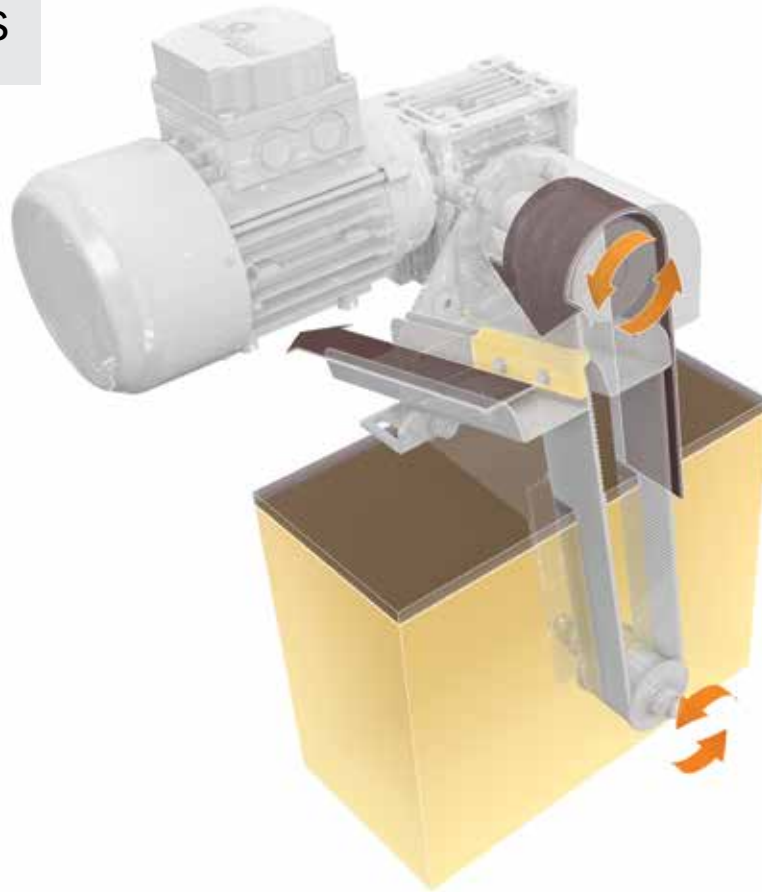
Skim N		Dimensions [mm]		
Models	A	B	C	
SK-N-S	205	356	441	
SK-N-M	205	356	0	
SK-N-L	205	356	0	

Skim N		
Models	Immersion depth [mm]	Max extracting oil per hour l/h
SK-N-S	126	18
SK-N-M	238	
SK-N-L	666	

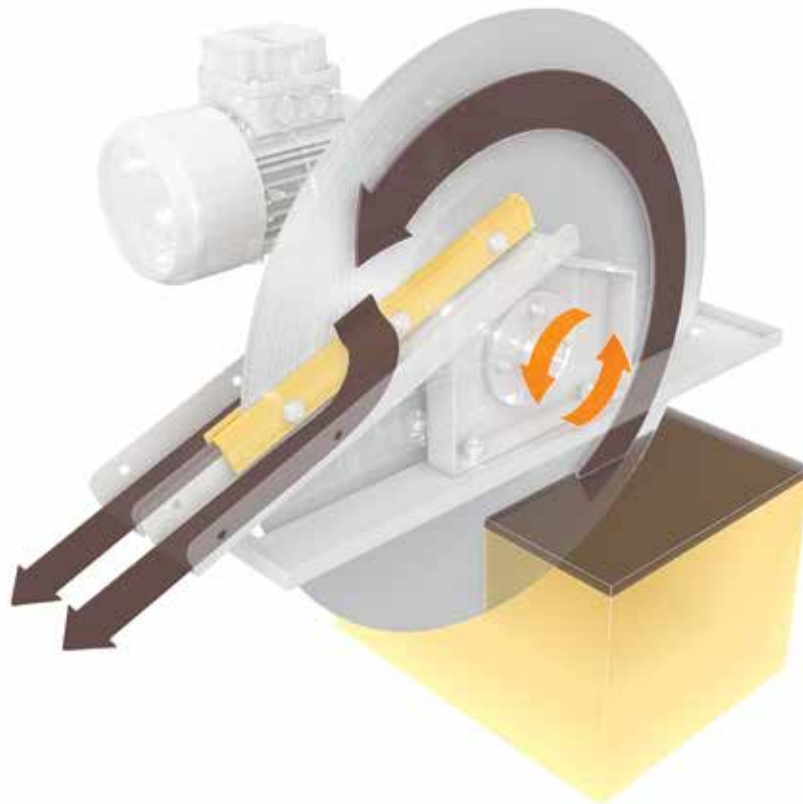
Thanks to the wide range of accessories Skim can be mounted either on the tank edge, on the cover, encased or on an internal structure. The extreme simple construction limits the maintenance. The wearing control of scrapers and the periodical cleaning of waste discharging off-lets keeps the system in perfect working conditions.

## Working Principles

### Skim N



### Skim D



The disc/belt is immersed into the liquid and thanks to rotation the polluting agents stick to its surface and are dragged out. During rotation the disc/belt meets scrapers fitted with a rubber rim which remove the film of polluting agents stuck to it and transport it outside by loglines of exit ducts. Skim can be equipped with an electrical control board with the possibility of setting up temporary working cycles.



Health



Savings



Efficiency



Environment



Safety

F005.127.00  Greylab.it

# LOSMA<sup>®</sup>

WORKING CLEAN, BREATHING HEALTHY

Losma S.p.A.  
Via E. Fermi 16 24035 Curno (BG)  
CAP. SOC. I.V. € 500.000,00  
Reg. Imp. e P.I e C.F. 012345901962  
R.E.A. 185685

ISO 9001  
TÜV SÜD  
Certified Company

ISO 14001  
TÜV SÜD  
Certified Company



Germany - Losma GmbH  
[www.losma.de](http://www.losma.de)

USA - Losma Inc  
[www.losma.com](http://www.losma.com)

UK - Losma UK Limited  
[www.losma.co.uk](http://www.losma.co.uk)

Losma Engineering - Torino  
[www.losma.it](http://www.losma.it)

India - Losma India Pvt Ltd  
[www.losma.in](http://www.losma.in)